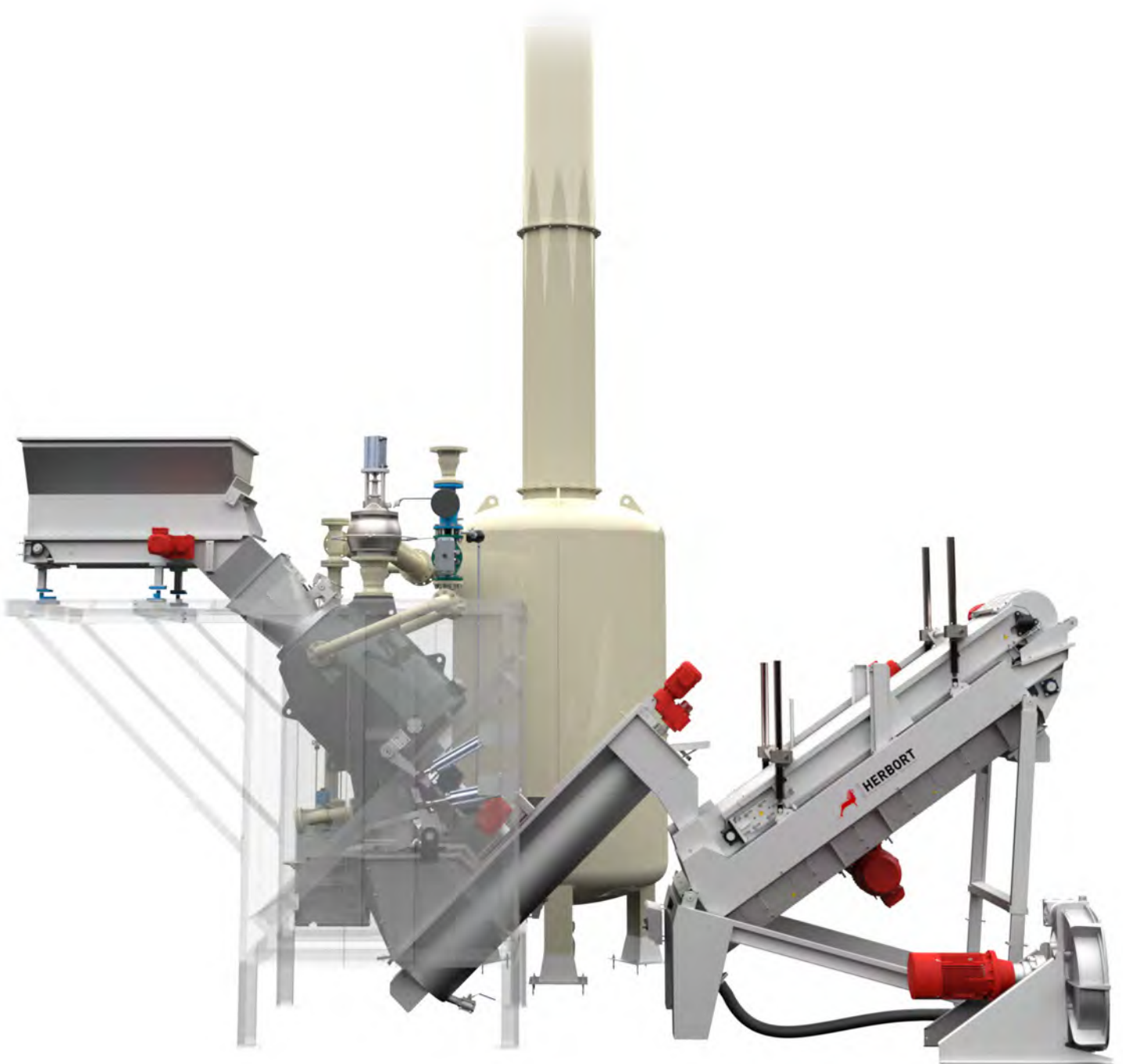


GERMAN
QUALITY

HERBORT STATIC STEAM PEELER

LOWEST PRODUCT LOSSES

LOWEST STEAM CONSUMPTION



HERBORT
FOOD PRODUCTION MACHINERY

The Static Steam Peeler (HSSP)

The **Herbert Static Steam Peeler** is the ideal solution for peeling a wide variety of products like potatoes, carrots, beetroot, parsnip, celeriac, salsify, butternut, etc...

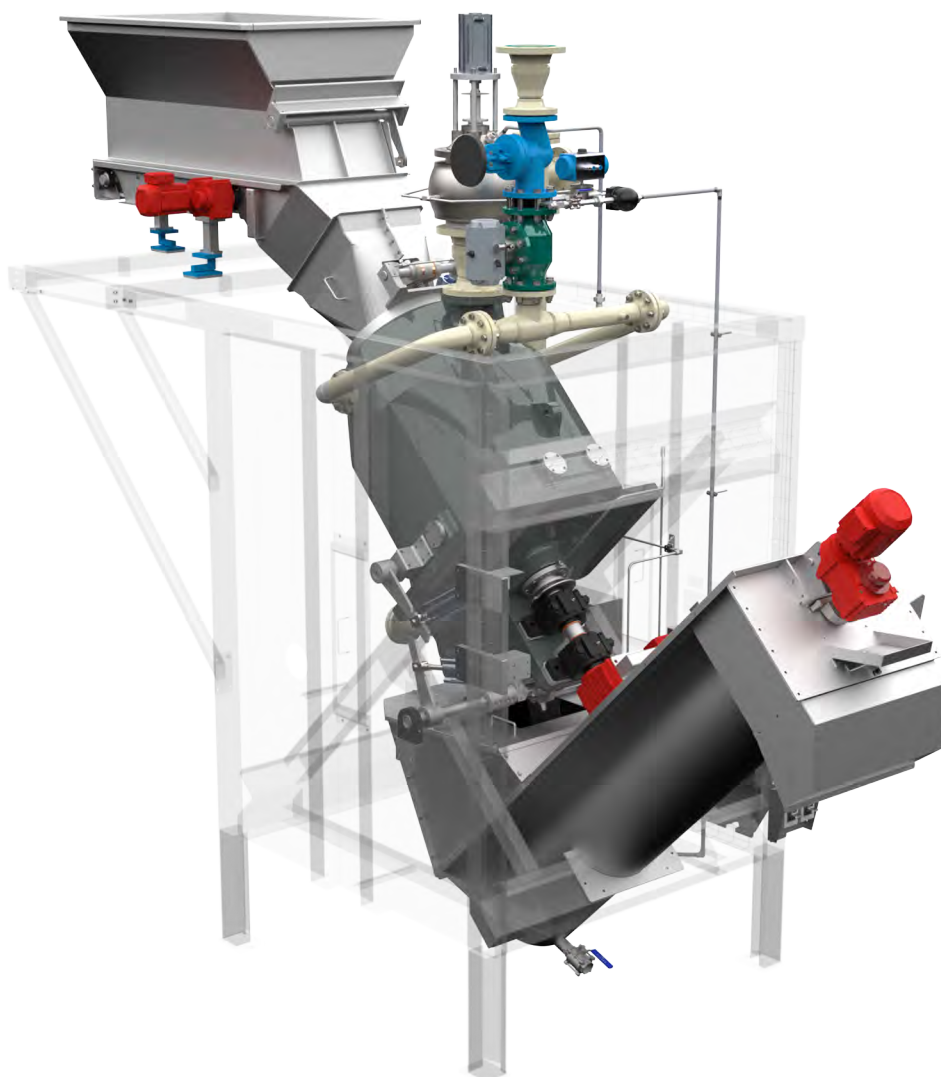
This steam peeler is **truly unique** in its field. The HSSP has a **static**, and thus **stationary, steel casted pressure vessel**. This has multiple advantages: **high dry matter content of peel waste, low maintenance, easy to clean** and **higher durability**.

The product in the vessel is **continuously in motion** thanks to the specially designed agitator arm. Condensate is removed through a grid at the bottom of the pressure vessel. **Each product item gets the right steam treatment** as a result of this unique design.

The Herbert Static Steam Peeler ensures the **absolute minimum steam exposure time** for products. This results in **higher product yield**. The pressure in the HSSP process can go as high as 20 bar.

Benefits

- ♦ Minimal steam exposure
- ♦ High dry matter content of the peel waste
- ♦ Low maintenance & easy to clean
- ♦ Longer machine lifespan
- ♦ Stainless steel grate for draining of hot condensate
- ♦ High filling level



Suitable for



Potatoes



Sweet Potatoes



Carrots



Parsnip



Beetroot



Butternut

Technical data

| HSSP* | 0550 | 0750 | 1050 | 1450 | 2150 |
|---|-------------|-------------|-------------|-------------|-------------|
| Batch | 140 kg | 240 kg | 460 kg | 530 kg | 865 kg |
| Fill Opening | 385 mm | 419 mm | 419 mm | 465 mm | 635 mm |
| Discharge Port | 385 mm | 385 mm | 419 mm | 419 mm | 465 mm |
| Electrical Power | 2,5 kW | 2,5 kW | 4 kW | 4 kW | 7,5 kW |
| Energy Recuperation per Batch (16 bar) | 4 kW | 6 kW | 9 kW | 11,5 kW | 17,5 kW |
| Capacity Potatoes Steaming Time (12 sec 16 bar) | 11 t/h | 18 t/h | 33 t/h | 37 t/h | 53 t/h |
| Water Consumption | 150 l/h | 150 l/h | 150 l/h | 150 l/h | 150 l/h |
| Air Consumption 6 bar (input / output) | 37 l / 35 l | 37 l / 35 l | 45 l / 42 l | 45 l / 42 l | 57 l / 61 l |
| Steam Consumption (12 sec) | 6 kg/cycle | 9 kg/cycle | 14 kg/cycle | 18 kg/cycle | 28 kg/cycle |

*Herbort Static Steam Peeler

| HIBB* | 0080 | 0100 | 0120 | 0140 | 0200 |
|---------------------|-------------|-------------|-------------|-------------|-------------|
| Belt Width | 800 mm | 1000 mm | 1200 mm | 1400 mm | 2000 mm |
| Number of Rolls | 12 | 12 | 12 | 12 | 12 |
| Capacity (potatoes) | 25 t/h | 31 t/h | 37 t/h | 45 t/h | 60 t/h |
| Capacity (carrots) | 19 t/h | 24 t/h | 29 t/h | 35 t/h | 48 t/h |

Brush color:

Green = small products

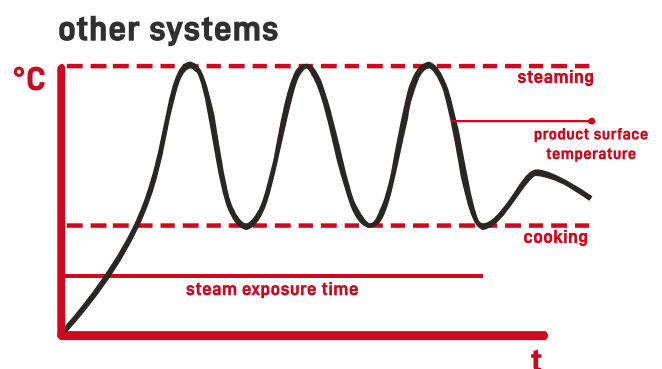
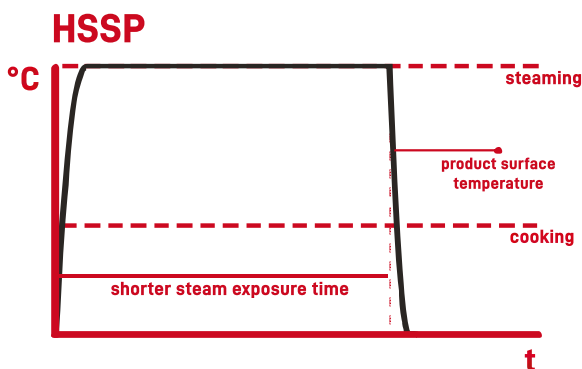
Red = hard, big products

Yellow = soft products

*Herbort Inclining Brushing Belt

| HERS* | 0040 | 0050 | 0060 | 0075 | 0095 |
|--|-------------|-------------|-------------|-------------|-------------|
| Energy Recuperation kW/batch delta 12° | 6 | 7,5 | 9 | 11 | 15 |
| Energy Recuperation kW/batch delta 15° | 8 | 9 | 11,5 | 13 | 1 |

*Herbort Energy Recuperation System



(HERS) The Energy Recuperation System

The **Herbort Energy Recuperation System** is quickly becoming a sought-after solution for steam peelers world wide. This innovative system **recycles energy** and **prevents smell pollution**.

There is no need for a chimney that discharges large amounts of steam. The HERS delivers **minimal output** resulting in less smell pollution. In contrast to traditional systems, for which you need environmental permits for this pollution.

The HERS **recovers energy** from warm water. This warm water is the result of steam condensing within the static vessel. The HERS is a **great recommendation for blanching machines** placed after the steam peeler.

This makes a big difference in **economical cost**. By using the HERS, your blanching machine taps off energy from the Herbort Static Steam Peeler.

(HIBB) The Inclining Brushing Belt

The **Herbort Inclining Brushing Belt** is a perfect fit for your steam peeling line. Putting the HIBB after your steam peeler will provide the cleanest possible peeling of your product. The HIBB is placed **in C-form on a slope**, which provides several advantages.

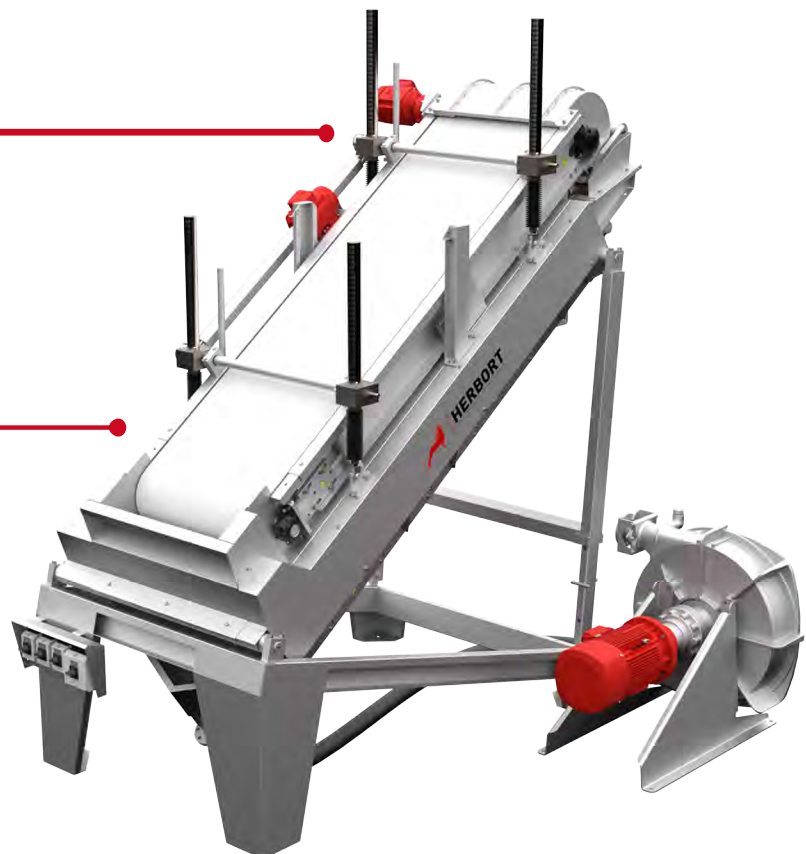
First off, the **inclination and low placement** of the belt assures great disposal of product residue like flakes and mash. Secondly, **the distance between the steam peeler and the HIBB is smaller than traditional set-ups**. This means produce is less likely to be cooked and the peeling happens quickly.

There are **three different kinds of brushes** available for the HIBB. **Green** brushes are ideal for small products, **red** brushes are recommended for bigger, harder products like potatoes, and the **yellow** brushes are the best choice for softer products like beetroot.

The distance between brushes and belt is **easily adjustable** via the HMI provided with the HIBB. This means that the size and amount of your product is no problem for this brushing belt.

Adjustable height

Different brushes for different products



Why choose the Static Steam Peeler?

Rapid Pressure Drop

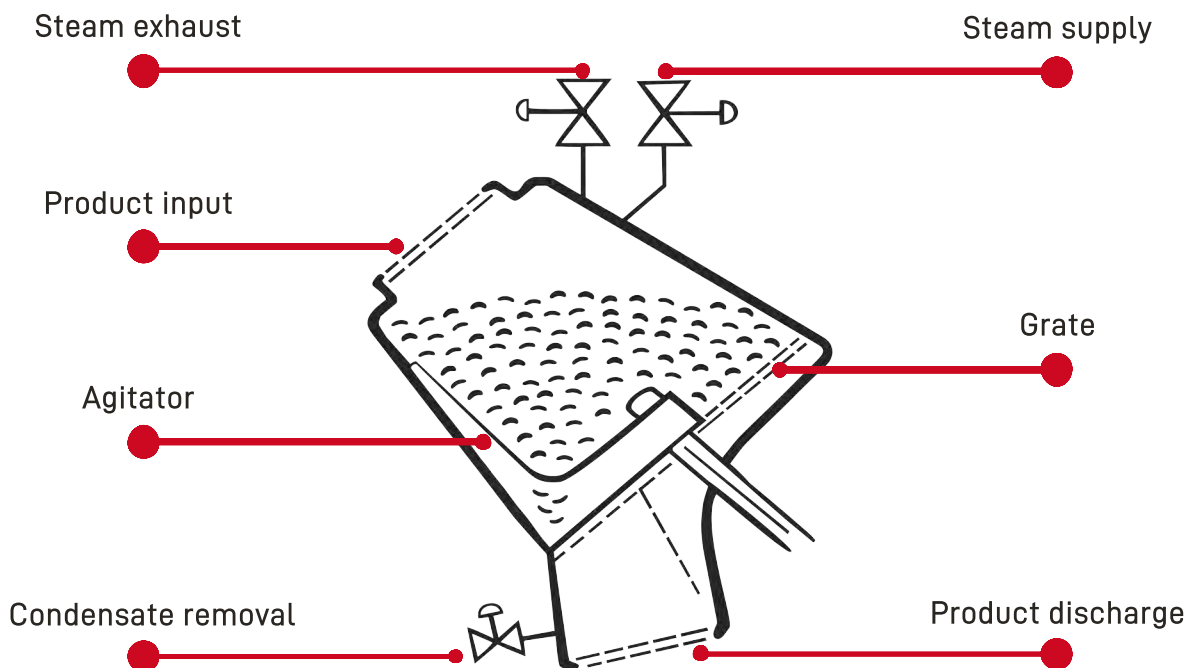
A big advantage of choosing the HSSP is the rapid pressure drop. After the product has been steamed, the **pressure drops instantly** by opening the exhaust valve. This **fast pressure decrease** makes the peel **explode** from the surface.

Dry Design

The expansion vessel has a dry design, which means it works according to the **cyclone principle** and exhausts the clean steam into the atmosphere. There are **no polluted particles** discharged through the chimney.

Ecological

Going for the HSSP is also a green choice. This unique technology has the big benefit of **100% recovering the discharged steam**. This results in the lowest steam consumption of any steam peeler on the market.



Herbort GmbH
Hohlweg 3
D-39291, Schermen
Germany

www.herbort-gmbh.de
info@herbort-gmbh.de
+49 (0) 3921 729 90 80



HERBORT
FOOD PRODUCTION MACHINERY